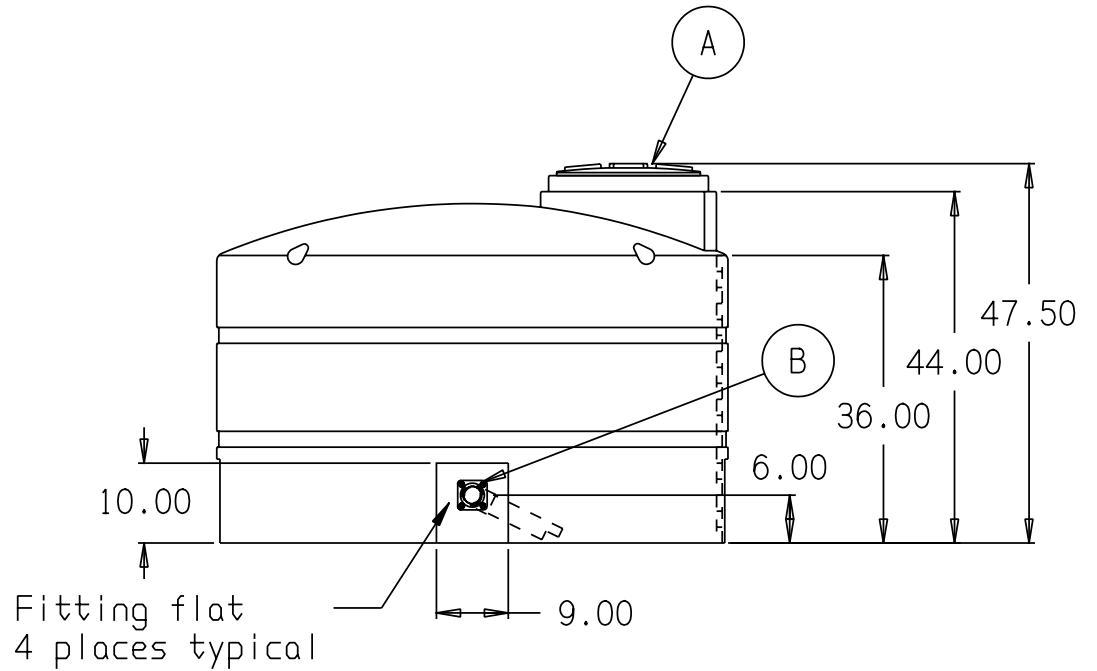
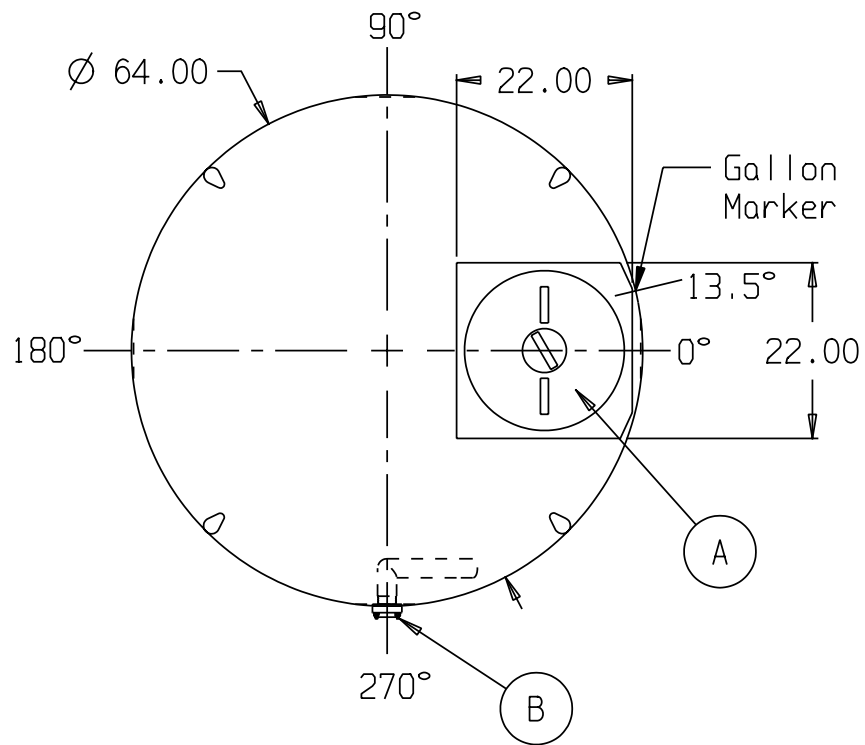


WATER



- A. 18" PE THREADED-VENTED MANWAY W/15" ACCESS [P/N 34700087]
- B. 2" PP DBL FLANGED BOLTED LONG SIPHON TUBE ASSY
W/EPDM GASKETS & SS BOLTS [P/N 34700841]

SNYDER INDUSTRIES INC.

(all dimensions in inches)

PART # TANK: 8060000W94301 (M)
HDLPE/NAT/WATER

REF#: 00000

04/27/07

BASE FITTINGS TO BE LEFT INSTALLED AT TIME OF SHIPMENT PER SII PROCEDURE

550 GALLON VERTICAL WATER STORAGE TANK