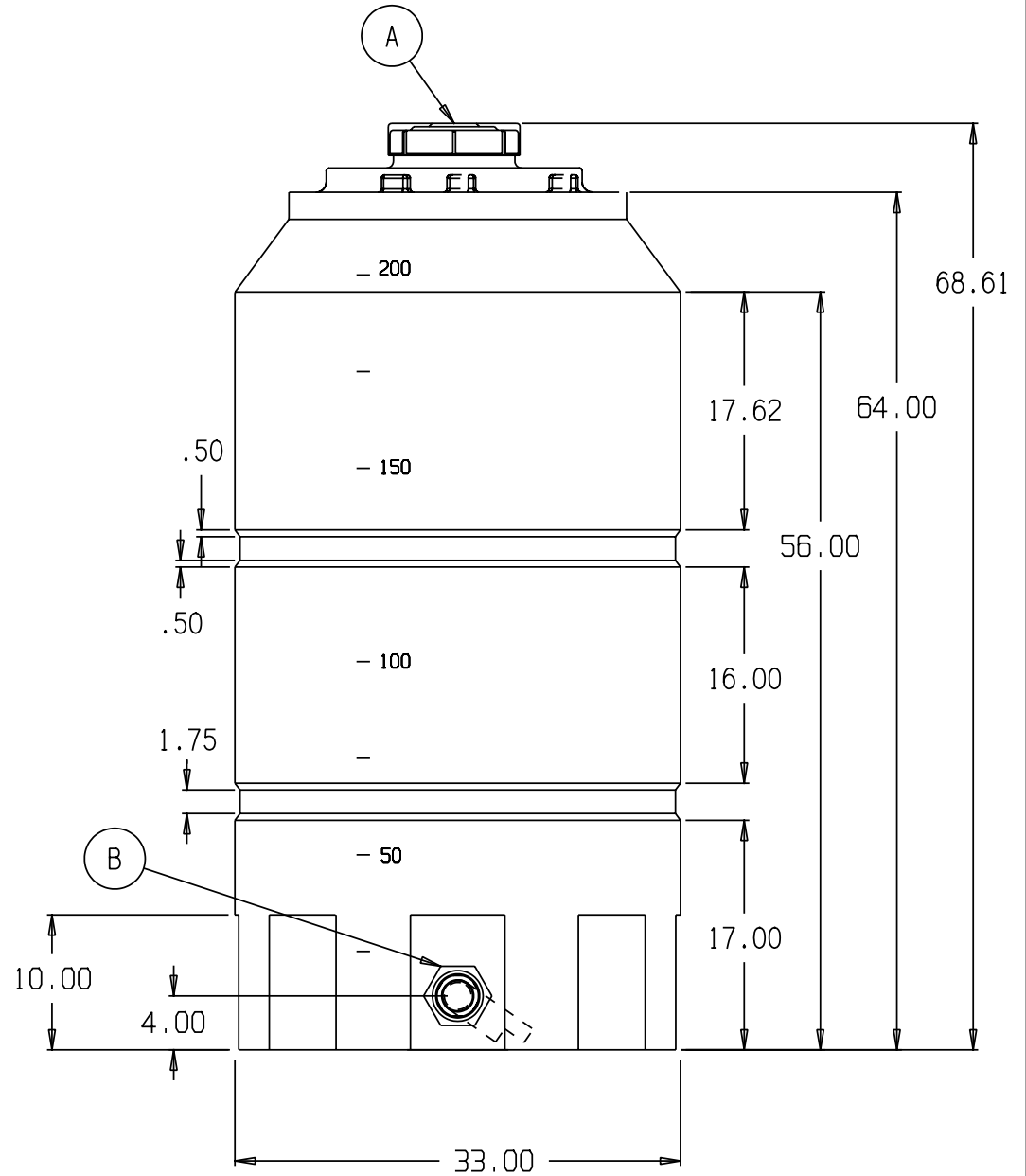
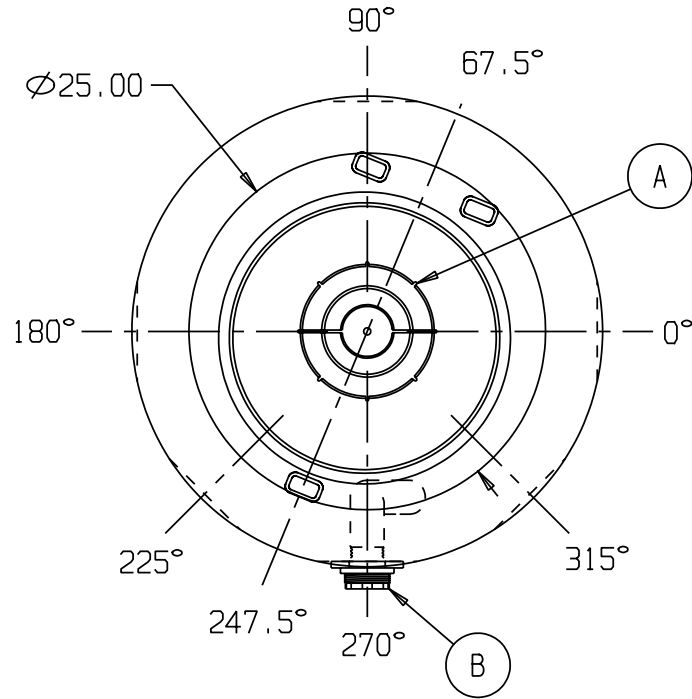


WATER



SNYDER INDUSTRIES INC.

- A. 10" PE THREADED-VENTED FILL CAP W/7" ACCESS [P/N 34700088]
- B. 2" PP THREADED BH SHORT SIPHON TUBE ASSY W/EPDM GASKET [P/N 34700840]

\* BASE FITTINGS TO BE LEFT INSTALLED AT TIME OF SHIPMENT PER SII PROCEDURE  
 \* Consult Snyder's Guidelines for Use and Installation prior to delivery.  
 Available on-line at [www.snydernet.com](http://www.snydernet.com)

(all dimensions in inches)  
 PART # TANK: 8020000W94301 (M)  
 HDLPE/NAT/WATER

REF#: 00000

04/27/07

210 GALLON WATER TANK