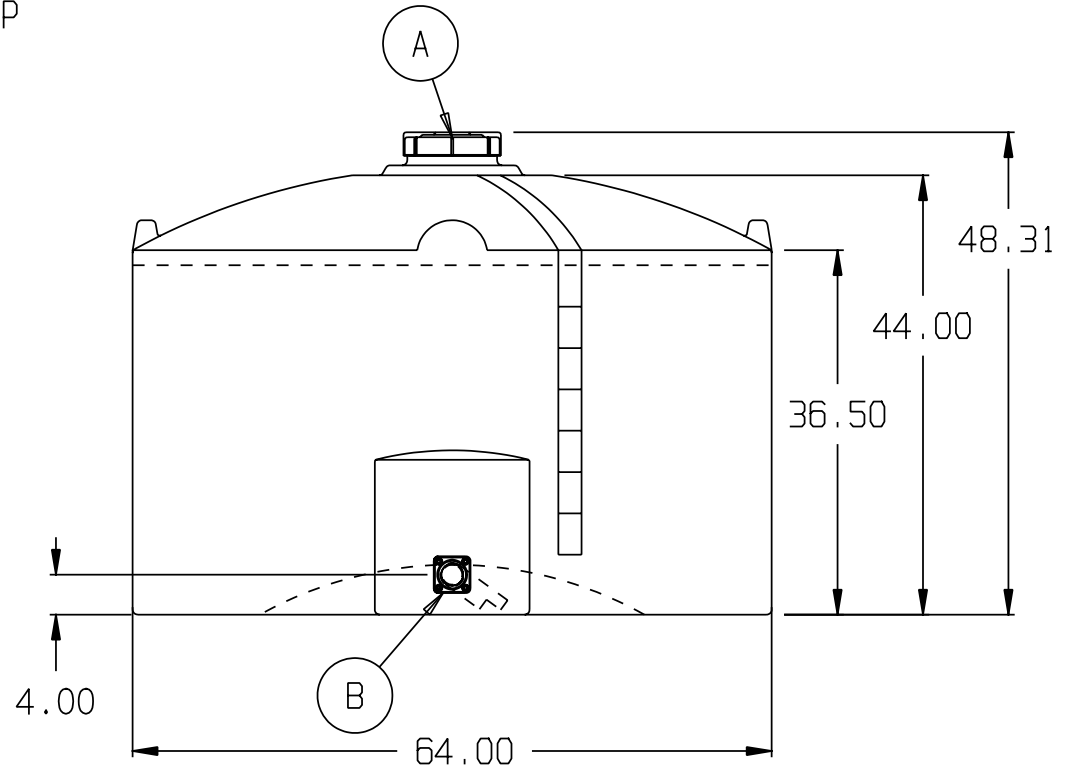
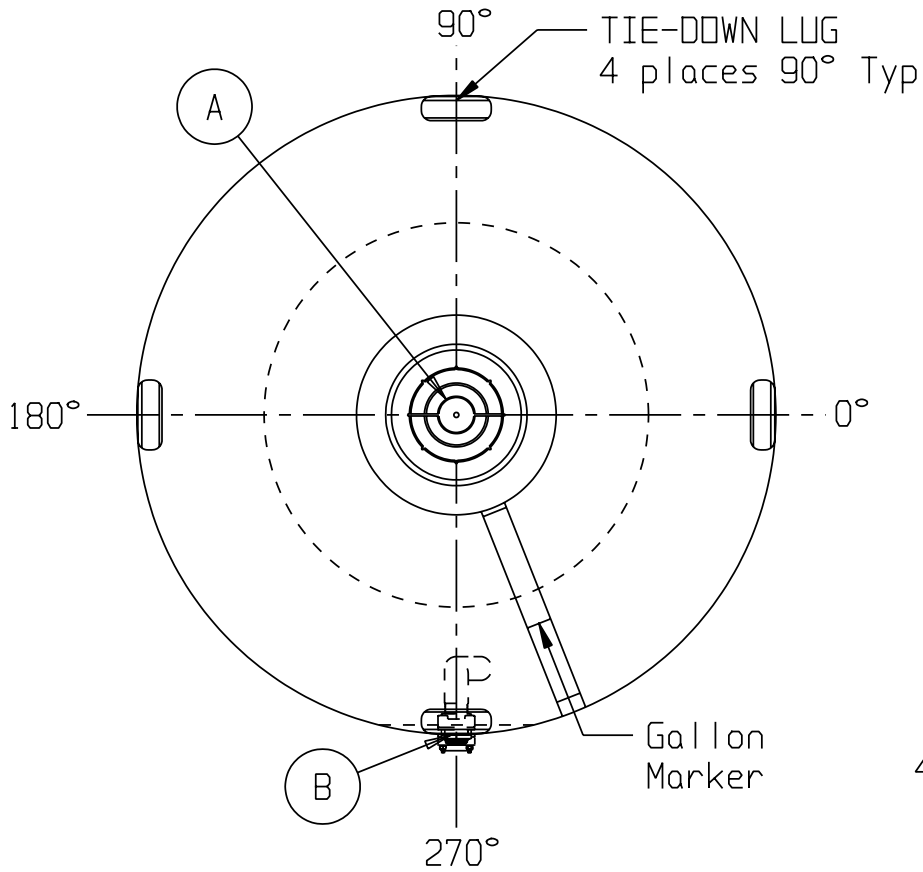


# WATER

SNYDER INDUSTRIES INC.



A. 10" PE THREADED-VENTED FILL CAP W/7" ACCESS [P/N 34700088]

B. 2" PP DBL FLANGED BOLTED SHORT SIPHON TUBE ASSY W/EPDM GASKETS & SS BOLTS [P/N 34700842]

\* BASE FITTINGS TO BE LEFT INSTALLED AT TIME OF SHIPMENT PER SII PROCEDURE

\* Consult Snyder's Guidelines for Use and Installation prior to delivery.

Available on-line at [www.snydernet.com](http://www.snydernet.com)

(all dimensions in inches)

PART # TANK: 1670000W94302 (C)  
HDLPE/NAT/WATER

## 550 GALLON WATER TANK

REF#: 00000

04/27/07